

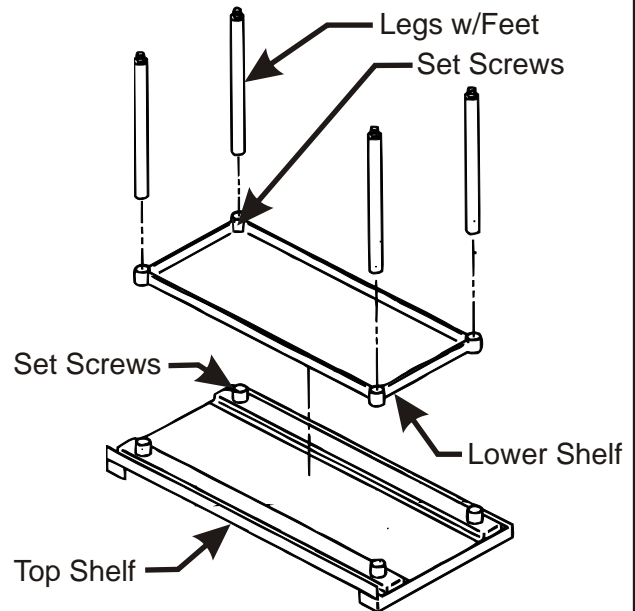


Equipment Stand & Cookline Mounting Strap

INSTALLATION AND ASSEMBLY INSTRUCTIONS

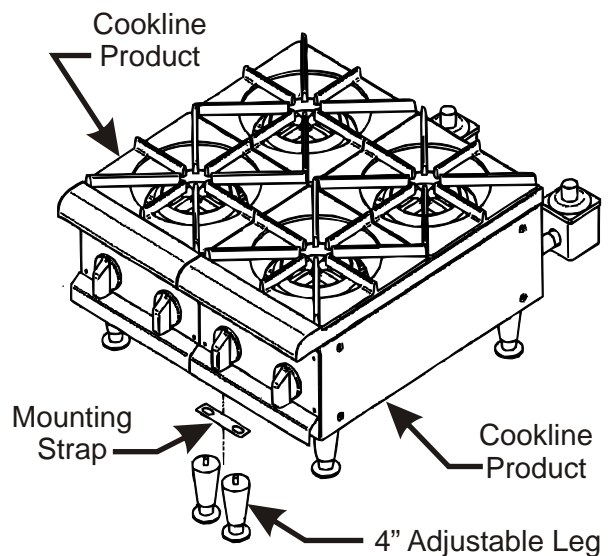
ASSEMBLY INSTRUCTIONS

- ★ Unpack and check to make sure contents complete.
- ★ Contains:
 - 1 Top Shelf 8 Set Screws
 - 1 Lower Shelf 1 Allen Wrench
 - 4 Legs w/Feet
- ★ Turn top shelf upside down
- ★ Place legs in collars
- ★ Partly tighten set screws
- ★ Slide lower shelf on legs
- ★ Adjust to desired height and tighten set screws
- ★ Finish tightening set screws



INSTALLATION INSTRUCTIONS

- ★ Mounting strap is to be used when placing two or more pieces of APW/WYOTT cookline equipment on an equipment stand.
- ★ Cookline products ship with legs unattached.
- ★ When attaching legs, run the stud of the front & rear legs (on the sides of the units that will be side by side) through the slot in the strap.
- ★ Screw leg in until it is tight.
- ★ The strap should form to the units when leg is tight.
- ★ Place units on equipment stand.
- ★ Adjust the legs to level units.



P/N 221820 5/06

Phone: +1 (307) 634-5801
Fax: +1 (307) 637-8071
Toll Free: +1 (800) 752-0863
Website: www.apwwyott.com
E-mail: info@apwwyott.com

APW WYOTT
P.O. Box 1829
Cheyenne, WY 82003